

Fairfield Audio

FA120Z

70V 120 Watt Amplifier with speaker selector



FA120Z Features:

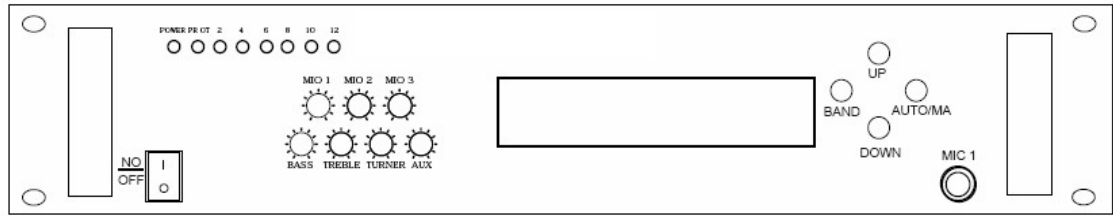
- 120W 70V/100V 4-16 ohms speaker outputs
- One 1/4" MIC input and Two XLR MIC Inputs
- Two AUX Dual RCA inputs, Mic 2/3 may be switched to 2 Line 1/4" Inputs
- EMC input
- Aux Dual RCA Output
- Independent Volume control per source
- 5 Zone speaker Selector
- MIC1 highest priority, EMC 2nd priority
- Built in rack wings (Front & Rear)

FA120Z Specifications:

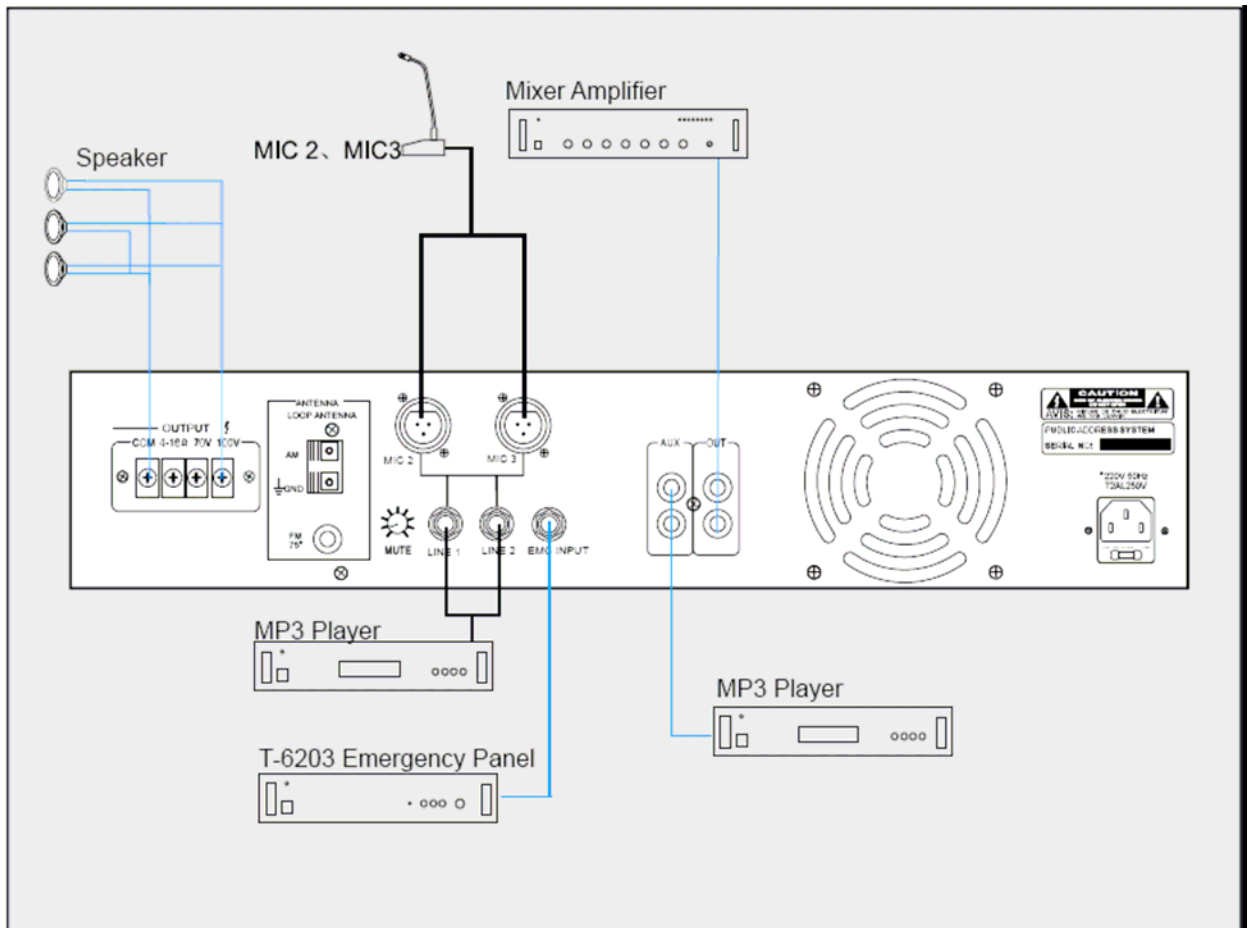
Rated Output	120W
Power Consumption	200W
Mic Inputs	5mv, 600 ohm
Phantom Power	48V
Aux & Emergency Inputs	250mv, 15k ohms
Speakers Outputs	70v, 100v, 4-16 ohms
Tone	Bass +/- at 100Hz Treble +/- at 10kHz
Frequency Response	50Hz – 15kHz
S/N Ratio	MIC1,2,3: 66dB; AUX:80dB
THD	Less than 0.1% at 1Khz, 1/3 rated power
Cross Talk	MIC: 80dB; Aux: 85dB
Indicators	Power LED, LED level meter
Muting Function	Mic 1 overrides other input signals with variable 0-30dB attenuation Emergency Input overrides all inputs except Mic 1
Controls	Individual source volume controls, power switch
Protection	Current limiter, AC fuse and thermal protection
Power Requirements	110V-120V AC or 220V-240V AC 50/60HZ
Finish	Panel, Aluminum, Black; Case, Steel, Black
Dimensions	19.06 w x14 d x 3.5 h In (484x360x88 mm)
Rack mount size	2U
Weight	23 lbs. (9.94 kg)
Accessories	Power cord, Manual

Fairfield Audio 2008

FA120Z Front Panel:



FA120Z Rear Panel:



Fairfield Audio 2008
 For U.S. Sales Contact AVGUY.com
 808 McGlincey Ave, Campbell, CA 95008
 Tel 1-866-462-8489 Fax 408-371-5926
 Email: sales@avguy.com

